

Leica DISTO™ D810 touch

The smartest solution to measuring and documenting



Measuring sloped objects



Precise targeting with the Pointfinder

■ Simply touch-it

Large touch screen for quick and intuitive operation. Using common gestures such as swipe and zoom with two fingers, all the functions are simply and easily accessible. Measurements can also be taken using the touch screen. This avoids unintentionally moving the Leica DISTO™ D810 touch during the measurement.

■ Measure with a picture

It has never been easier to determine the width, height, area or even the diameter of an object. One measurement at right angles to the object is all it takes. Then the desired dimension is marked using two arrows in the picture and the measured value appears in the display. In addition to the zoom stages on the Pointfinder, an overview camera is available for large objects.

■ Documentation using pictures

The camera function on the Leica DISTO™ D810 touch can be used to create pictures or screen shots for record purposes, which can then be downloaded to a computer via the USB interface. Thus no details about the measured target points need be lost.

■ High precision

The Leica DISTO™ D810 touch offers a number of indirect measuring functions. Due to the specially developed tilt sensor the results are very precise. Even more accurate results can be achieved using the Leica FTA360 tripod adapter with fine drive because this adapter allows exact targeting.

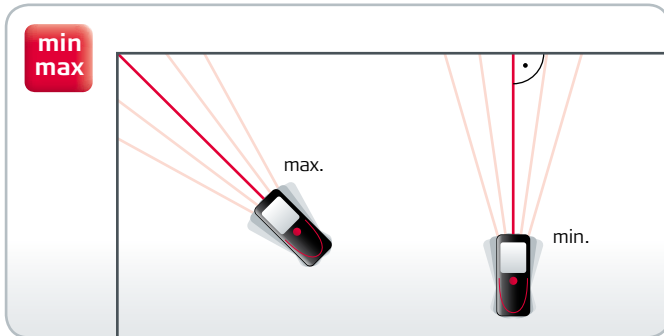
■ Flexible data transfer

In keypad mode, you can link your Leica DISTO™ D810 touch to your computer and send measured values in the form of a keyboard entry to any program. This provides a high degree of flexibility.



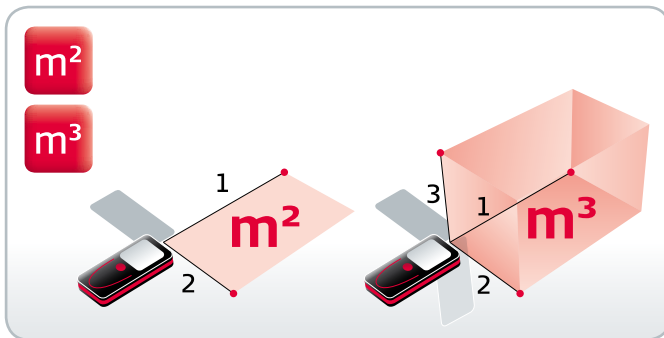
Any measurements are possible

Distances, areas and volumes



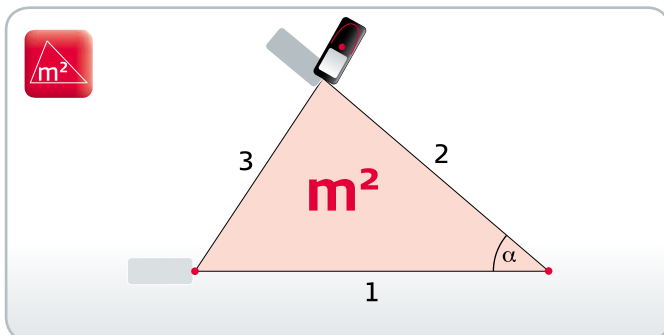
Minimum / maximum measurements

The maximum measurement is very helpful, e.g. for finding out the room diagonal. The minimum measurement can be used to measure at right angles to a wall.



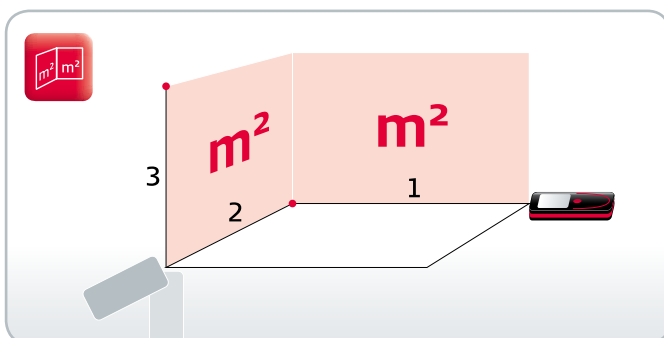
Area and volume measurements

With only two or three measurements, you can quickly and precisely calculate the area of a ceiling, floor or wall, or the volume of a room. No need to note down the individual values! The result is calculated automatically and shown on the display.



Triangle and room angle function

The triangle function helps you to calculate, quickly and efficiently, the area of a multicorned room. Divide the room into imaginary triangles. Using only three measurements, determine the area of each triangle, which you can add up cumulatively. Pressing a key gives you a detailed display of the room angle, so that you can e.g. quickly check whether it is a right angle.

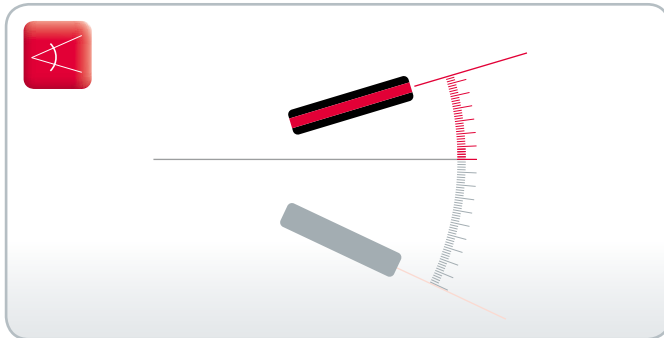


Painter function

With this function you can determine e.g. the total wall area of a room without having to note down any intermediate results. Simply measure the lengths of the walls, which you can add or subtract as required. Finally measure the room height, which is then automatically multiplied by the previously calculated value.

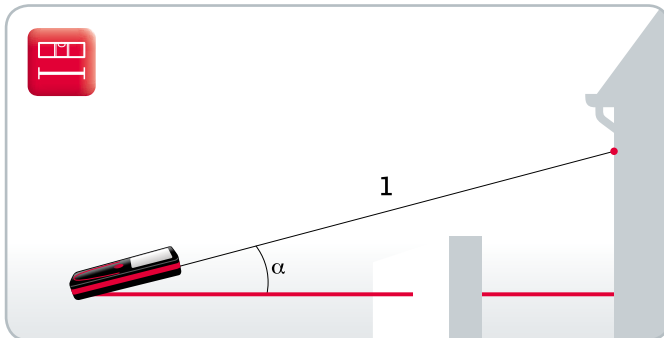
Precise indirect measurements

Measuring with the tilt sensor



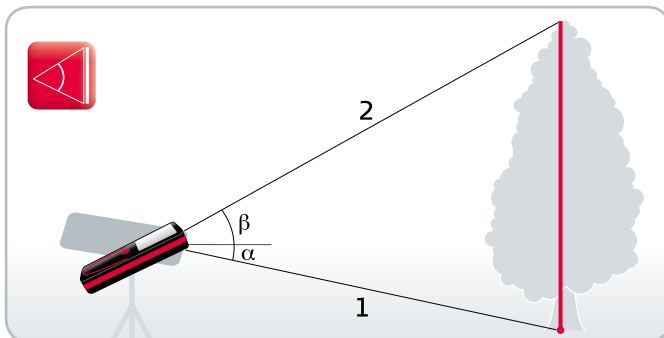
Tilt measurement

The tilt sensors in the Leica DISTO™s can measure inclinations up to $\pm 45^\circ$, or even have a measurement range of 360° . This means you can also measure inclinations over your head. This is particularly interesting for people who wish to determine roof slopes.



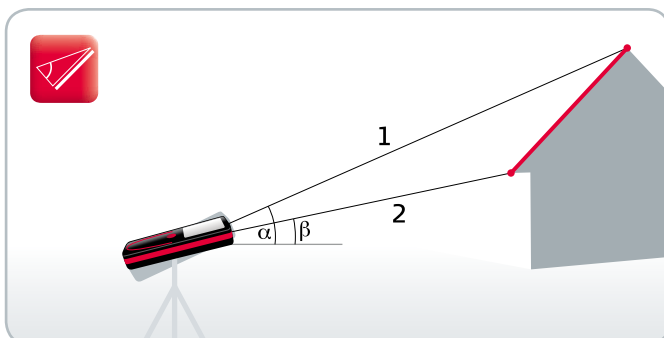
Smart Horizontal Mode™

The desired horizontal distance is determined using the tilt measurement, even if the object cannot be directly targeted horizontally. This function is very helpful, e.g. if walls, hedges or people are between the instrument and the target.



Height tracking

You can determine the heights of buildings or trees that have no suitable reflective points by using the height tracking function. Target with the Pointfinder on the bottom point of the height to be measured and take a measurement. Then target on the top point of the object. The display then shows the height.



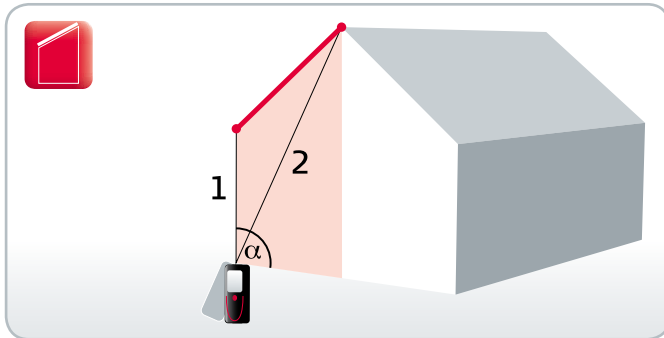
Sloped object measurement

With this function, you can e.g. determine the roof slope of a house, even from a long distance away. To do this you take two distance measurements and the Leica DISTO™ determines the tilt at the same time. Additional detailed information, e.g. the distances and the inclination between the measured points, is also provided.

Still more measurement possibilities

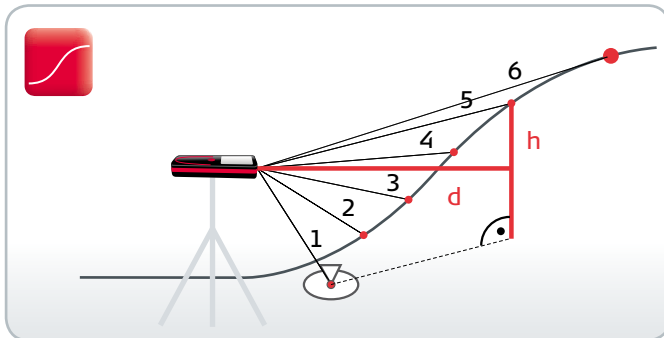
Special functions

BAP Equipment Ltd.
 Phone: 1-800-561-3600
 info@bapequipment.com
 www.bapequipment.com



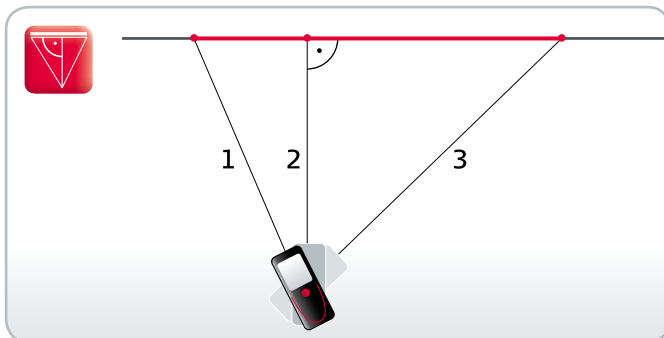
Trapezium measurements

Using the trapezium function, you can quickly and reliably determine e.g. roof slopes and facade areas. You need only two measurements. The integrated tilt sensor determines the tilt at the same time.



Height profile measurements

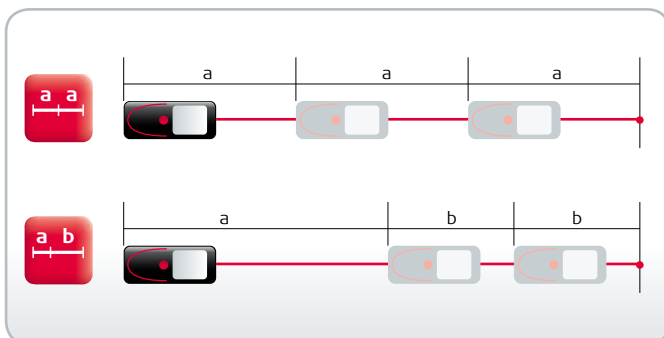
Target the device on a known reference mark and then measure the height differences of other points relative to this. If the measured points are taken all in one direction the profile of the ground can be determined from the measured horizontal distances and the height differences.



Pythagoras functions

Using the tripod, you can measure distances indirectly, horizontally and vertically. The Leica DISTO™ calculates the result automatically for you from three measurements. Functions such as automatic minimum and maximum measurements help you to measure the right point.

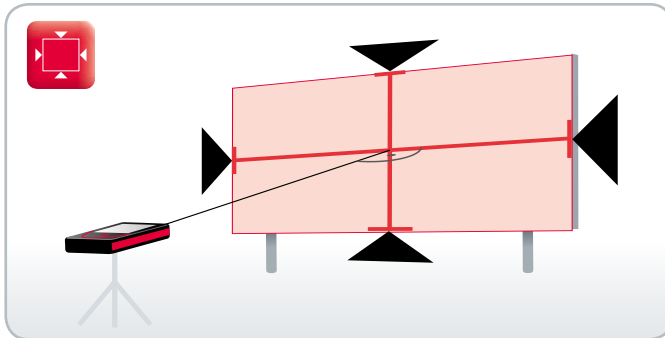
Partial heights, e.g. balcony or window heights, are determined by Pythagoras.



Stake-out function

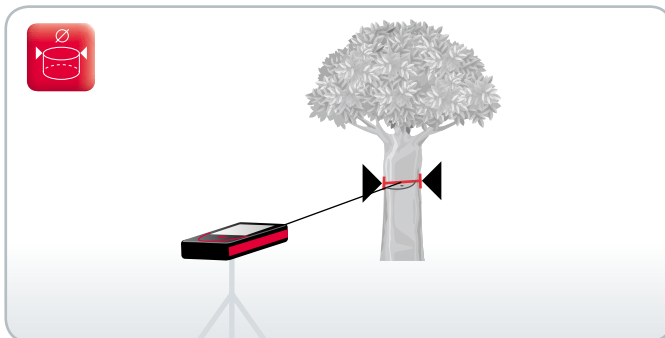
One or two different distances (a and b) can be entered into the device and then used to subtract from defined measured lengths. The display always shows the current stake-out distance and a direction arrow. At a distance of 0.1 m to the next stake-out point, an acoustic signal sounds.

The world's first Measure and document with pictures



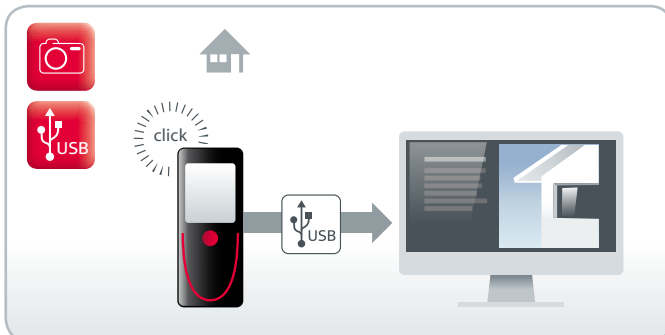
Measuring widths, heights and areas

You measure at right angles to the object. The object appears in the display and then you can mark the required dimension with the arrows. The display then shows the value. In this way you can, for example, measure the width, height and area of an advertising board using only one distance measurement.



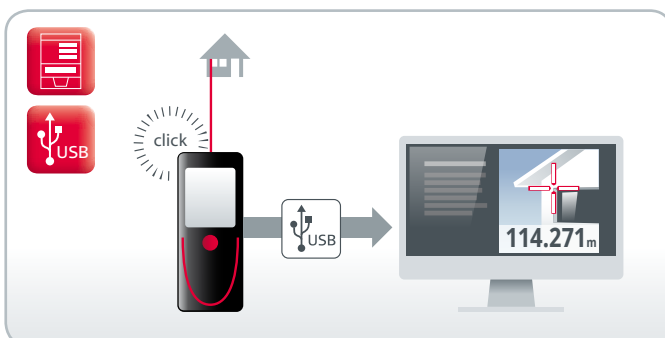
Diameter measurement

Measure to the centre of the object with the device. The object appears in the display and then you can mark the diameter with the arrows. The display then shows the result. This function is ideal, for example, for determining the diameter of a tree trunk.



Take pictures with the overview camera

Take pictures for record purposes and download them to your computer using the USB interface. The integrated overview camera gives you more image information. With tricky measurements for example, you can photograph and record target points or specific features.



Screen shots

This function is outstandingly suitable for recording information about measurements. You can save all information appearing in the display, i.e. the measurement results and the view of the Pointfinder, and then transfer it over the USB interface to a computer. This ensures every measurement is always clearly identified.

Leica DISTO™ sketch App

Take your office to the construction site

The smart App "Leica DISTO™ sketch" is the ideal link between the Leica DISTO™ with Bluetooth® Smart and a smartphone or a tablet. It allows you to create and precisely dimension sketches and pictures. The files can then be sent directly to the office. This simplifies and speeds up work flow.

Leica DISTO™ sketch



■ Create a scale drawing

Draw a sketch simply using your finger on the touch screen of your smartphone or tablet. Your freehand lines will be automatically straightened. The results of your measurements can be just as easily assigned to the relevant lines. The "Auto-scale" function adjusts the line lengths automatically to create a scale drawing.

■ Dimension objects in pictures

If you take a photograph with your smartphone or tablet, you can transfer the dimensions from the Leica DISTO™ using Bluetooth® Smart and add the appropriate distances to the picture. This allows you to document all measurement results and then assign them correctly in the office.

■ Integrating detailed sketches

Create and dimension a sketch or an image and add it to an existing sketch, e.g. to a plan view. Any quick sketch can be augmented with detailed information. This offers a completely new way of recording information in documentation.

■ Checking construction drawings

Compare a PDF drawing that you have opened on your smartphone or tablet with reality and add any measurements taken, notes, sketches or pictures. This allows you to have all the information together in a single document.