



The items shown on our website are the items we Stock. However we have access to the full line of Safety Equipment that we can quickly special order for you. Browse this Catalog and if you want to place an order or get pricing and availability contact us at 1-800-561-3600 or email [info@bapequipment.com](mailto:info@bapequipment.com) Some Limitations May Apply.

# Head Protection





## Selection of Colors

CHOOSE FROM OUR WIDE SELECTION OF 23 COLORS!



01 White



02 Yellow



03 Orange



04 Dark Green



05 Hi-Viz Red



06 Light Blue



07 Sky Blue



08 Navy Blue



09 Gray



10 Beige



11 Black



12 Brown



13 Gold



14 Dark Gray



15 Red



17 Royal Blue



18 Northern Blue



20 Pink



31 Hi-Viz Orange



44 Hi-Viz Yellow



45 Lime Green



71 Steel Blue



74 Forest Green



The items shown on our website are the items we Stock. However we have access to the full line of Safety Equipment that we can quickly special order for you. Browse this Catalog and if you want to place an order or get pricing and availability contact us at 1-800-561-3600 or email [info@bapequipment.com](mailto:info@bapequipment.com) Some Limitations May Apply.

## Personalization

### USE YOUR HARDHAT TO PROMOTE YOUR IMAGE AND YOUR HEALTH AND SAFETY MESSAGES

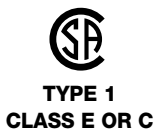
All Dynamic helmets have a surface large enough to print your logo or message. DSI offers:

- The possibility of printing on the front, side and back of the helmet
- Printing in one or several colors

Additionally, we offer an accessory installation service such as:

- Reflective strips
- Chin strap
- Cap-Lock quick adapter
- Bracket for miner's lamp





## Whistler

**CSA Z94.1-15 TYPE 1 CLASS E, ANSI Z89.1-2014 TYPE I CLASS E AND CE EN397:2012**

*Sleek & modern style lightweight high density polyethylene hard hat to give you and your company the ideal choice in CSA Type 1 head protection. Rain trough & slotted design shell to accommodate all the latest accessories such as hearing protection, face shields, forestry kits or welding protection. Also attachment points for chin straps etc. Comfortable 4-point or 6-point nylon webbing suspensions with pin-lock or our exclusive "SURE-LOCK" ratchet adjustment to properly fit all head sizes large or small. Large printing surfaces for company logo's on front, sides & back. HP241 Series also available with added "Ventilation" for added relief from heat.*



HP241R-02



HP241RV-09

### FEATURES & BENEFITS

- Sleek & Attractive Design High Density Polyethylene Shell
- Shell Has Rain Trough For Extra Convenience
- Large Printing Surfaces For Great Custom Logo's on Front, Sides & Back
- Comfortable Pin Lock Or Exclusive "SURE-LOCK" Ratchet Adjustment Suspensions
- Accessory Slots & Chin Strap Attachments
- Top Ventilation for model HP241RV
- CSA Z94.1-15 Certified Type 1 Class E or C
- ANSI Z89.1-2014 Certified Type I Class E or C
- CE Certified EN3907 : 2012

PART NO	CSA	ANSI	CE	SUSPENSION	ADJUSTMENT
HP221	Not certified	Certified Type I	Certified	4-point, plastic	Pin lock
HP221R	Not certified	Certified Type I	Certified	4-point, plastic	"Sure-Lock" Ratchet
HP241	Certified Type 1	Certified Type I	Certified	4-point, nylon	Pin lock
HP241R	Certified Type 1	Certified Type I	Certified	4-point, nylon	"Sure-Lock" Ratchet
HP241RV	Certified Type 1	Certified Type I	Certified	4-point, nylon	"Sure-Lock" Ratchet
HP261	Certified Type 1	Certified Type I	Certified	6-point, nylon	Pin lock
HP261R	Certified Type 1	Certified Type I	Certified	6-point, nylon	"Sure-Lock" Ratchet

\* Available in 20 colors: 01/White, 02/Yellow, 03/Orange, 04/Dark Green, 05/Hi-Viz Red, 06/Light Blue, 07/Sky Blue, 08/Navy Blue, 09/Gray, 10/Beige, 11/Black, 13/Gold, 14/Dark Gray, 15/Red, 17/Royal Blue, 18/Northern Blue, 20/Pink, 31/Hi-Viz Orange, 44/Hi-Viz Yellow, 45/Lime-Green

The items shown on our website are the items we Stock. However we have access to the full line of Safety Equipment that we can quickly special order for you. Browse this Catalog and if you want to place an order or get pricing and availability contact us at 1-800-561-3600 or email [info@bapequipment.com](mailto:info@bapequipment.com) Some Limitations May Apply.

The items shown on our website are the items we Stock. However we have access to the full line of Safety Equipment that we can quickly special order for you. Browse this Catalog and if you want to place an order or get pricing and availability contact us at 1-800-561-3600 or email [info@bapequipment.com](mailto:info@bapequipment.com) Some Limitations May Apply.



## Dom

**CSA Z94.1-15 TYPE 1 CLASS E AND ANSI Z89.1-2014 TYPE I CLASS E**

Smooth dome shape is ideal for welding applications & attachments. Rain trough & slotted design high density polyethylene shell to accommodate all the latest accessories such as hearing protection, face shields, forestry kits or welding protection. Also attachment points for chin straps etc. Comfortable 4-point nylon webbing suspensions with pin-lock or our exclusive "SURE-LOCK" ratchet adjustment to properly fit all head sizes large or small. Large printing surfaces for company logo's on front, sides & back.



HP341R-07



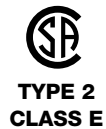
HP341R-74

### FEATURES & BENEFITS

- Smooth dome shape is ideal for welding applications & attachments
- Shell Has Rain Trough For Extra Convenience
- Large Printing Surfaces For Great Custom Logo's on Front, Sides & Back
- Comfortable Pin Lock Or Exclusive "SURE-LOCK" Ratchet Adjustment Suspensions
- Accessory Slots & Chin Strap Attachments
- CSA Z94.1-15 Certified Type 1 Class E
- ANSI Z89.1-2014 Certified Type I Class E

PART NO	CSA	ANSI	SUSPENSION	ADJUSTMENT
HP341	Certified Type 1	Certified Type I	4-point, nylon	Pin lock
HP341R	Certified Type 1	Certified Type I	4-point, nylon	"Sure-Lock" Ratchet
HP341SR	Certified Type 1	Certified Type I	4-point, nylon	"Sure-Lock" Ratchet Swing-Strap

\* Available in 12 colors: 01/White, 02/Yellow, 03/Orange, 04/Dark Green, 07/Sky Blue, 08/Navy Blue, 09/Gray, 11/Black, 15/Red, 17/Royal Blue, 71/Steel Blue, 74/Forest Green



## Mont-Blanc

CSA Z94.1-15 TYPE 2 CLASS E AND ANSI Z89.1-2014 TYPE II CLASS E

Extra lateral protection CSA Type 2 “super lightweight” high density polyethylene hard hat. Foam liner adds lateral side, front & rear impact protection. Rain trough & slotted designed shell to accommodate all the latest accessories such as hearing protection, faceshields forestry kits or welding protection. Comfortable 4-point nylon webbing suspensions with pin-lock or our exclusive “SURE-LOCK” ratchet adjustment to properly fit all head sizes large or small. Crown comfort pad & inside ratchet foam make these the most comfortable hats available. Large printing surfaces to accommodate company logo’s on front, sides & back.



HP542R-11



HP542R-17

### FEATURES & BENEFITS

- Foam Liner To Offer Added Lateral Front, Side & Back Protection
- Sleek & Attractive Design High Density Polyethylene Shell
- Shell Has Rain Trough For Extra Convenience
- Large Printing Surfaces For Great Custom Logo’s on Front, Sides & Back
- Comfortable Pin Lock Or “SURE-LOCK” Ratchet Adjustment Suspensions
- Accessory Slots & Chin Strap Attachments
- CSA Z94.1-15 Certified Type 2 Class E
- ANSI Z89.1-2014 Certified Type II Class E

PART NO	CSA	ANSI	SUSPENSION	ADJUSTMENT
HP542	Certified Type 2	Certified Type II	4-point, nylon	Pin lock
HP542R	Certified Type 2	Certified Type II	4-point, nylon	“Sure-Lock” Ratchet

\* Available in 17 colors: 01/White, 02/Yellow, 03/Orange, 04/Dark Green, 05/Hi-Viz Red, 06/Light Blue, 07/Sky Blue, 08/Navy Blue, 09/Gray, 10/Beige, 11/Black, 15/Red, 17/Royal Blue, 18/Northern Blue, 20/Pink, 31/Hi-Viz Orange, 44/Hi-Viz Yellow

The items shown on our website are the items we Stock. However we have access to the full line of Safety Equipment that we can quickly special order for you. Browse this Catalog and if you want to place an order or get pricing and availability contact us at 1-800-561-3600 or email [info@bapequipment.com](mailto:info@bapequipment.com) Some Limitations May Apply.



The items shown on our website are the items we Stock. However we have access to the full line of Safety Equipment that we can quickly special order for you. Browse this Catalog and if you want to place an order or get pricing and availability contact us at 1-800-561-3600 or email [info@bapequipment.com](mailto:info@bapequipment.com) Some Limitations May Apply.



**TYPE 1 CLASS E OR C  
TYPE 2 CLASS E OR C**



**TYPE I CLASS E OR C  
TYPE II CLASS E OR C**



HP641R-01



HP641RV-15

# Kilimanjaro

**CSA Z94.1-15 TYPE 2 CLASS E AND ANSI Z89.1-2014 TYPE II CLASS E**

**CSA Z94.1-15 TYPE 1 CLASS E AND ANSI Z89.1-2014 TYPE I CLASS E**

*This wide brim hat offers added sun protection to ears & neck from harmful UV rays and protection from falling materials & debris. Ideal for forestry, mining, oil & gas and other demanding environments. High density polyethylene slotted designed shell to accommodate all the latest accessories such as hearing protection, faceshields and forestry kits. Comfortable 4-point nylon webbing suspensions with pin-lock or our exclusive "SURE-LOCK" ratchet adjustment to properly fit all head sizes large or small. Crown comfort pad & inside ratchet foam make these the most comfortable hats available. Large printing surfaces to accommodate company logo's on front, sides & back. The extra lateral protection CSA Type 2 model has foam liner which adds lateral side, front & rear impact protection. HP641 Series also available with added "Ventilation" for added relief from heat.*

## FEATURES & BENEFITS

- Added sun protection to ears & neck from harmful UV rays and protection from falling materials & debris
- Sleek & Attractive Design High Density Polyethylene Shell
- Large Printing Surfaces For Great Custom Logo's on Front, Sides & Back
- Comfortable Pin Lock Or "SURE-LOCK" Ratchet Adjustment Suspensions
- Accessory Slots & Chin Strap Attachments
- Top ventilation for HP641RV
- CSA Z94.1-15 Certified Type 1 Or Type 2 Class E or C
- ANSI Z89.1-2014 Certified Type I Or Type II Class E or C

PART NO	CSA	ANSI	SUSPENSION	ADJUSTMENT
HP641	Certified Type 1	Certified Type I	4-point, nylon	Pin lock
HP641R	Certified Type 1	Certified Type I	4-point, nylon	"Sure-Lock" Ratchet
HP641RV	Certified Type 1	Certified Type I	4-point, nylon	"Sure-Lock" Ratchet
HP642R	Certified Type 2	Certified Type II	4-point, nylon	"Sure-Lock" Ratchet

\* Available in 11 colors: 01/White, 02/Yellow, 03/Orange, 04/Dark Green, 07/Sky Blue, 08/Navy Blue, 09/Gray, 11/Black, 15/Red, 31/Hi-Viz Orange, 44/Hi-Viz Yellow

The items shown on our website are the items we Stock. However we have access to the full line of Safety Equipment that we can quickly special order for you. Browse this Catalog and if you want to place an order or get pricing and availability contact us at 1-800-561-3600 or email [info@bapequipment.com](mailto:info@bapequipment.com) Some Limitations May Apply.

# TREMBLANT

## Tremblant

CSA Z94.1-15 TYPE 1 CLASS E, ANSI Z89.1-2014 TYPE I CLASS E AND CE EN397:2012



TYPE 1  
CLASS E



TYPE I CLASS E



EN397:2012

*Curved and fluid style, ideal for mining, aluminum, steel, construction and other industries. High-density polyethylene shell, without rain trough, universal slots to accommodate all the latest accessories such as hearing protection, face shields, forestry kits or welding protection. Includes 4-point attachment for chin straps. Comfortable 4-point nylon webbing suspensions with pin-lock or our exclusive "SURE-LOCK II" ratchet adjustment to properly fit all head sizes large or small. Large printing surfaces for company logo's on front, sides & back.*



HP741R-06

### FEATURES & BENEFITS

- Curved and fluid style
- High-density polyethylene shell, without rain trough
- Large Printing Surfaces For Great Custom Logo's on Front, Sides & Back
- Comfortable Pin Lock or Exclusive "SURE-LOCK" Ratchet Adjustment Suspensions
- Accessory Slots & Chin Strap Attachments
- CSA Z94.1-15 Certified Type 1 Class E
- ANSI Z89.1-2014 Certified Type I Class E
- CE Certified EN3907 : 2012



HP741R-31

PART NO	CSA	ANSI	CE	SUSPENSION	ADJUSTMENT
HP741	Certified Type 1	Certified Type I	Certified	4-point, nylon	Pin lock
HP741R	Certified Type 1	Certified Type I	Certified	4-point, nylon	"Sure-Lock II" Ratchet

\* Available in 15 colors: 01/White, 02/Yellow, 03/Orange, 04/Dark Green, 05/Hi-Viz Red, 06/Light Blue, 07/Sky Blue, 08/Navy Blue, 09/Gray, 10/Beige, 11/Black, 15/Red, 17/Royal Blue, 31/Hi-Viz Orange, 44/Hi-Viz Yellow



The items shown on our website are the items we Stock. However we have access to the full line of Safety Equipment that we can quickly special order for you. Browse this Catalog and if you want to place an order or get pricing and availability contact us at 1-800-561-3600 or email [info@bapequipment.com](mailto:info@bapequipment.com) Some Limitations May Apply.



**TYPE 1 CLASS E  
TYPE 2 CLASS E**



**TYPE I CLASS E  
TYPE II CLASS E**



HP841R-03



**TYPE 1  
CLASS E**



**TYPE I CLASS E**



**EN397:2012**



HP851R-14

## Stromboli

**CSA Z94.1-15 TYPE 2 CLASS E AND ANSI Z89.1-2014 TYPE II CLASS E  
CSA Z94.1-15 TYPE 1 CLASS E AND ANSI Z89.1-2014 TYPE I CLASS E**

Safety helmet designed primarily for welders and high heat applications. Shell is made of lightweight polycarbonate offering exceptional protection against heat, radiation and impacts. The rain trough free shell is narrower than other models and allows the addition of all types of welding helmets available on the market without any restrictions. Also attachment points for chin straps. Comfortable 4-point nylon webbing suspensions with pin-lock or our exclusive "SURE-LOCK" ratchet adjustment to properly fit all head sizes large or small. Large printing surfaces for company logo's on front, sides & back. The extra lateral protection CSA Type 2 model has a foam liner which adds lateral side, front & rear impact protection.

### FEATURES & BENEFITS

- Smooth dome shape is ideal for welding applications & attachments
- Rain trough free shell is made of lightweight polycarbonate offering exceptional protection against heat, radiation and impacts
- Large Printing Surfaces For Great Custom Logo's on Front, Sides & Back
- Comfortable and exclusive "SURE-LOCK" Ratchet Adjustment Suspension
- Accessory Slots
- CSA Z94.1-15 Certified Type 1 Or Type 2 Class E
- ANSI Z89.1-2014 Certified Type I Or Type II Class E

PART NO	CSA	ANSI	SUSPENSION	ADJUSTMENT
HP841R	Certified Type 1	Certified Type I	4-point, nylon	"Sure-Lock" Ratchet
HP841SR	Certified Type 1	Certified Type I	4-point, nylon	"Sure-Lock" Ratchet Swing-Strap
HP842R	Certified Type 2	Certified Type II	4-point, nylon	"Sure-Lock" Ratchet

\* Available in 10 colors: 01/White, 02/Yellow, 03/Orange, 04/Dark Green, 09/Gray, 11/Black, 15/Red, 45/Lime-Green, 71/Steel Blue, 74/Forest Green

## Vesuvio

**CSA Z94.1-15 TYPE 1 CLASS E AND ANSI Z89.1-2014 TYPE I CLASS E**

Safety helmet designed primarily for applications where high ambient temperatures and molten material is of a risk. The shell is made of a special Nylon resin mixed with fiber offering an exceptional protection against impacts and ambient high heat up to 400° Fahrenheit (200° C). The rain trough free shell is narrow allowing the addition of all types of accessories and welding helmets. Comfortable 4-point nylon webbing suspensions with our exclusive "SURE-LOCK" ratchet adjustment to properly fit all head sizes large or small. Large printing surfaces for company logo's on front, sides & back.

### FEATURES & BENEFITS

- Smooth dome shape
- It is made of Nylon/fiber mixture offering exceptional protection against ambient high temperatures and impacts
- Comfortable and exclusive "SURE-LOCK" Ratchet Adjustment Suspension
- CSA Z94.1-15 Certified Type 1 Class E
- ANSI Z89.1-2014 Certified Type I Class E

PART NO	CSA	ANSI	SUSPENSION	ADJUSTMENT
HP851R	Certified Type 1	Certified Type I	4-point, nylon	"Sure-Lock" Ratchet

\* Available in 8 colors: 01/White, 02/Yellow, 03/Orange, 09/Gray, 11/Black, 14/Dark Grey, 15/Red and 71/Steel Blue

The items shown on our website are the items we Stock. However we have access to the full line of Safety Equipment that we can quickly special order for you. Browse this Catalog and if you want to place an order or get pricing and availability contact us at 1-800-561-3600 or email [info@bapequipment.com](mailto:info@bapequipment.com) Some Limitations May Apply.



HP441R-45

## Cotopaxi

**CSA Z94.1-15 TYPE 1 CLASS E AND ANSI Z89.1-2014 TYPE I CLASS E**

*This hat design is ideal for the mining and utility sectors and many others, this new variation is certified to the CSA standard. Made of Lightweight Polycarbonate mixed with ABS it offers maximum protection for impacts, UV & heat radiation. Its fluid style with only one rib on top gives you that safe feeling of being totally protected, this rain trough free shell with universal slots to accommodate all of the latest accessories. This shell complete with the most efficient and comfortable suspension on the market with enough adjustment to fit the smallest or the largest head sizes.*

### FEATURES & BENEFITS

- Fluid style with one top rib.
- Light Polycarbonate / ABS shell
- Large Printing Surfaces For Great Custom Logo's on Front, Sides & Back
- Comfortable Pin Lock Or "SURE-LOCK" Ratchet Adjustment Suspensions
- Accessories Slots & Chin Strap attachments, no rain trough
- CSA Z94.1-15 Certified Type 1 Class E
- ANSI Z89.1-2014 Certified Type I Class E

PART NO	CSA	ANSI	SUSPENSION	ADJUSTMENT
HP441	Certified Type 1	Certified Type I	4-point, nylon	Pin lock
HP441R	Certified Type 1	Certified Type I	4-point, nylon	"Sure-Lock" Ratchet

\* Available in 10 colors: 01/White, 02/Yellow, 03/Orange, 04/Dark Green, 09/Gray, 11/Black, 15/Red, 45/Lime-Green , 71/Steel Blue, 74/Forest Green



HP1041R-71

## Annapurna

**CSA Z94.1-15 TYPE 1 CLASS E AND ANSI Z89.1-2014 TYPE I CLASS E**

*This Wide or Full Brim hat is an improved version of a classic used in the Petroleum Industry. It can also be used in other applications for people working outside in the sun; you will be getting additional protection against harmful UV rays. Made of lightweight Polycarbonate and ABS this hat offer exceptional protection against impacts, UV & heat radiation. This hat has been designed to accept all available accessories even hearing protection. Fitted with the most comfortable suspension in the market available in Pin-Lock and Ratchet configuration you can't ask for a better balanced and fitting hat.*

### FEATURES & BENEFITS

- Added sun protection from ears to neck and a wider protection from falling material and debris.
- Attractive simple design
- Lightweight Polycarbonate/ABS Shell.
- Large Printing Surfaces For Great Custom Logo's on Front, Sides & Back
- Comfortable Pin Lock Or "SURE-LOCK" Ratchet Adjustment Suspensions
- Accessory Slots & Chin Strap Attachments
- CSA Z94.1-15 Certified Type 1 Class E
- ANSI Z89.1-2014 Certified Type I Class E

PART NO	CSA	ANSI	SUSPENSION	ADJUSTMENT
HP1041	Certified Type 1	Certified Type I	4-point, nylon	Pin lock
HP1041R	Certified Type 1	Certified Type I	4-point, nylon	"Sure-Lock" Ratchet

\* Available in 10 colors: 01/White, 02/Yellow, 03/Orange, 04/Dark Green, 09/Gray, 11/Black, 15/Red, 45/Lime-Green , 71/Steel Blue, 74/Forest Green

The items shown on our website are the items we Stock. However we have access to the full line of Safety Equipment that we can quickly special order for you. Browse this Catalog and if you want to place an order or get pricing and availability contact us at 1-800-561-3600 or email [info@bapequipment.com](mailto:info@bapequipment.com) Some Limitations May Apply.



**TYPE 1 CLASS E**  
**TYPE 2 CLASS E**



American National Standards Institute  
**TYPE I CLASS E**  
**TYPE II CLASS E**



**EN397:2012**



HP141R-15



HP142R06 shown with clip  
for lamp strap HPSLH  
(See page 17)

# Rocky

**CSA Z94.1-15 TYPE 1 OR TYPE 2 CLASS E, ANSI Z89.1-2014 TYPE I OR TYPE II CLASS E AND CE EN397:2012**

*This hat has been conceived for people working at heights or in confined spaces as well as for rescue teams. It is also ideal for sportsman for rock climbing or for speleologists. Made of Polycarbonate/ABS making the hat ultra light while offering an exceptional protection against shocks, radiation and impacts. Non-vented Hat offering maximum protection against electrical chocks. Available in Type 1 and Type 2. The absence of the front peak offer a total non-obstructed vision up stream. The universal slots on each side of the helmet gives you the opportunity to install accessories. The 4-point suspension with the exclusive "Sure Lock II" ratchet adjustment offer the perfect fit for all types of heads small or large. Large printing surfaces for your company logo. Comes with an easily adjustable, high quality, 4-point integrated chin strap.*

## FEATURES & BENEFITS

- Ultra light Shell made out of Polycarbonate/ABS while offering you superior protection.
- Shell has no front peak providing you a clear upward vision.
- Attractive ergonomic shell with fluid curves that do not interfere with the users ears.
- Large printing surface for your Logo.
- Redesigned suspension for maximum comfort.
- New and improved ratchet system "Sure-Lock II"
- CSA Z94.1-15 Certified Type 1 or Type 2 Class E
- ANSI Z89.1-2014 Certified Type I or Type II Class E
- CE Certified EN3907 : 2012

PART NO	CSA	ANSI	CE	SUSPENSION	ADJUSTMENT
HP141R	Certified Type 1	Certified Type I	Certified	4-point, nylon	"Sure-Lock II" Ratchet & Permanently attached 4 points Chin-Strap
HP142R	Certified Type 2	Certified Type II	Certified	4 -point, nylon	"Sure-Lock II" Ratchet & Permanently attached 4 points Chin-Strap

\* Available in 8 colors: 01/White, 02/Yellow, 03/Orange, 04/Dark Green, 06/Light Blue, 09/Gray, 11/Black, 15/Red



The items shown on our website are the items we Stock. However we have access to the full line of Safety Equipment that we can quickly special order for you. Browse this Catalog and if you want to place an order or get pricing and availability contact us at 1-800-561-3600 or email [info@bapequipment.com](mailto:info@bapequipment.com) Some Limitations May Apply.



TYPE 1 CLASS E OR C  
TYPE 2 CLASS E OR C



TYPE I CLASS E OR C  
TYPE II CLASS E OR C



EN397:2012

## Logan

**CSA Z94.1-15 TYPE 1 OR TYPE 2, ANSI Z89.1-2014 TYPE I OR TYPE II AND CE EN397:2012**

Sleek European Design with one model with a "Short" peak and the other model with added "Ventilation" for added relief from heat. Shell made out of lightweight high density polyethylene without rain trough, but with universal slots to accommodate all kind of accessories. The Short front peak offers a total non-obstructed vision up stream ideal for surveyors, for peoples working at heights, in narrow environments, or simply for people needing an expended field of view. Available in Type 1 and 2; Type 2 offering additional protection from lateral, side, front and rear impact. Comfortable 4 points nylon suspension with our exclusive "SURE-LOCK II" Ratchet adjustment suspension to properly fit all head sizes Large or Small. These hats are also available with 4 attachment points for chin straps when used in confined spaces or at heights. THE SHORT PEAK VENTILATED version in Type 1 and 2 give us the possibility to offer the market a ventilated hat that will please and accommodate those who want more ventilation inside the hat but those will have to accept the fact that this hat has no dielectric properties since it has holes for ventilation and is classified as a CLASS C.

### FEATURES & BENEFITS

- Sleek European Design.
- Lightweight High Density Polyethylene shell
- No Rain trough, chin straps attachments, universal slots for accessories.
- Short Peak for better vision. Short Peak and
- Top Ventilation for model HP1141RSPV & HP1142RSPV.

- New and improved ratchet system "Sure-Lock II" comfortable 4 -points nylon suspension
- CSA Z94.1-15 Certified Type 1 or Type 2 and Class E or Class C
- ANSI Z89.1-2009 Certified Type I or Type II and Class E or Class C
- CE Certified EN3907 : 2012



HP1141RSP-09



HP1141RSPV-17

PART NO	CSA	ANSI	CE	SUSPENSION	ADJUSTMENT
HP1141RSP	Certified Type 1 Class E	Certified Type I Class E	Certified	4-point, nylon	"Sure-Lock II" Ratchet
HP1142RSP	Certified Type 2 Class E	Certified Type II Class E	Certified	4-point, nylon	"Sure-Lock II" Ratchet
HP1141RSPV	Certified Type 1 Class C	Certified Type I Class C	Certified	4-point, nylon	"Sure-Lock II" Ratchet
HP1142RSPV	Certified Type 2 Class C	Certified Type II Class C	Certified	4-point, nylon	"Sure-Lock II" Ratchet

\* Available in 15 colors: 01/White, 02/Yellow, 03/Orange, 04/Dark Green, 05/Hi-Viz Red, 06/Light Blue, 07/Sky Blue, 08/Navy Blue, 09/Gray, 10/Beige, 11/Black, 15/Red, 17/Royal Blue, 31/Hi-Viz Orange, 44/Hi-Viz Yellow

## Bump Cap

### NON APPROVED HAT

Low hazard Bump Cap, well ventilated and lightweight for total wearer comfort. Ideal for food industry, mechanics, truck drivers and maintenance departments

### FEATURES & BENEFITS

- "Super-Lightweight"
- Well ventilated

- Pinlock suspension
- Flat Printing Surfaces for Great Custom Logo's



HP940-01

PART NO	SUSPENSION	ADJUSTMENT
HP940	4-point, plastic	Pin lock

\* Available in 5 colors: 01/White, 02/Yellow, 04/Dark Green, 07/Sky Blue, 15/Red

The items shown on our website are the items we Stock. However we have access to the full line of Safety Equipment that we can quickly special order for you. Browse this Catalog and if you want to place an order or get pricing and availability contact us at 1-800-561-3600 or email [info@bapequipment.com](mailto:info@bapequipment.com) Some Limitations May Apply.



HP946



## Grand Slam II Baseball Type Bump Cap

### FEATURES & BENEFITS

- For low hazard area protection against minor bumps and lacerations
- Hard shell with crown foam pads for maximum comfort and fit
- Super Lightweight
- Well Vented for increased comfort during hot sunny days
- Adjustable sizing to fit most head sizes
- Available in 4 different colours
- Company logos available

### PART NO DESCRIPTION

PART NO	DESCRIPTION
HP946	Grand Slam II baseball type bump cap

\* Available in 4 colors: 08/Navy Blue, 09/Gray, 11/Black, 15/Red



HP241GP



HP641GP

## Commemorative Hard Hats

*Ideal for recognition of safety achievements, or for ceremonies and retirements.*

### PART NO DESCRIPTION

HP241GP	"Whistler" Gold plated "Award" hat model HP241- For award and gift purposes only
HP641GP	"Kilimanjaro" Gold plated "Award" hat model HP641 - For award and gift purposes only

HP641GP "Kilimanjaro" Gold plated "Award" hat model HP641 - For award and gift purposes only



HPWL1



HPWL2



HPWL3



HPWL4



HPWL5



HPWL6

## Winter Liners

### TO KEEP YOU WARM

*Made from quality materials and designed to be used with regular or wide brim safety hats. Fits the head snugly Available in a variety of different materials and colors.*

### FEATURES & BENEFITS

- Made from quality materials
- Very warm
- Available in a variety of different materials and colors

PART NO	TYPE	COLOR	MATERIAL	FR
HPWL1	Hard Hat Winter Liner	Black	Nylon/Cotton	No
HPWL2	Sock Type Winter Liner	Red Stretch	Nylon	No
HPWL3	Hard Hat Winter Liner w/ Face Warmer	Royal	Blue Cotton	Yes
HPWL4	Thermal Face Protector	Black	Acrylic	No
HPWL5	Balaclava	Black	Acrylic	No
HPWL6	Snug Fit Tuque	Black	Acrylic	No

The items shown on our website are the items we Stock. However we have access to the full line of Safety Equipment that we can quickly special order for you. Browse this Catalog and if you want to place an order or get pricing and availability contact us at 1-800-561-3600 or email [info@bapequipment.com](mailto:info@bapequipment.com) Some Limitations May Apply.

# Replacement Suspensions and Parts

## FEATURES & BENEFITS

- A suspension design that offers more comfort and stability
- A comfort cushion on the suspension strap
- Felt comfort cushion on the front
- Ratchet system robust and easy to handle even with gloves
- Size 6 - 8 (52 - 64 cm)

## REPLACEMENT SUSPENSIONS

PART NO	DESCRIPTION	FOR HATS #
HP142RS	Replacement 4-point nylon "Sure-Lock II" Ratchet suspension including 4-point chin strap	HP141R, HP142R
HP221S	Replacement 4-point plastic pin-lock suspension	HP221
HP221RS	Replacement 4-point plastic "Sure-Lock" Ratchet suspension	HP221R
HP641S	Replacement 4-point nylon pin-lock suspension	HP241, HP241V, HP341, HP441, HP641, HP741 HP1041
HP641RS	Replacement 4-point nylon "Sure-Lock" Ratchet suspension	HP241R, HP241RV, HP341R, HP441R, HP641R, HP641RV, HP841R, HP851R, HP1041R
HP661S	Replacement 6-point nylon pin-lock suspension	HP261
HP661RS	Replacement 6-point nylon "Smooth-Lock" Ratchet suspension	HP261R
HP741RS	Replacement 4-point nylon "Sure-Lock II" Ratchet suspension	HP741R, HP1141RSP, HP1141RSPV
HP742RS	Replacement 4-point nylon "Sure-Lock II" Ratchet suspension (Foam shell not included)	HP1142RSP, HP1142RSPV
HP542S	Replacement 4-point nylon pin-lock suspension, (Foam shell not included)	HP542
HP542RS	Replacement 4-point nylon "Sure-Lock" Ratchet suspension, (Foam shell not included)	HP542R, HP642R, HP842R
HP841SRS	Replacement 4-point nylon "Sure-Lock/Swing Strap" Ratchet suspension (Foam shell not included)	HP341SR, HP841SR

## REPLACEMENT FOAM LINER

PART NO	DESCRIPTION	FOR HATS #
HP142FM	Replacement lateral impact protection foam liner	HP142R
HP542FM	Replacement lateral impact protection foam liner	HP542, HP542R, HP642R, HP842R, HP842SR, HP1142RSP, HP1142RSPV





The items shown on our website are the items we Stock. However we have access to the full line of Safety Equipment that we can quickly special order for you. Browse this Catalog and if you want to place an order or get pricing and availability contact us at 1-800-561-3600 or email [info@bapequipment.com](mailto:info@bapequipment.com) Some Limitations May Apply.

## Accessories

### SWEAT AND COMFORT BANDS

PART NO	DESCRIPTION
HPSB241	Replacement felt comfort bands for all Hard hat models - Package of 10
HPSB241A	Replacement leather comfort bands for all Hard hat models - Package of 10
HPSB470	Terry cloth sweat bands with velcro closure - Package of 10
HPSB470I	Terry cloth sweat bands with velcro closure - Individual Package
HP65000	Foam sweat bands with elastic head strap - Package of 25

### WIRE CRADLES\*

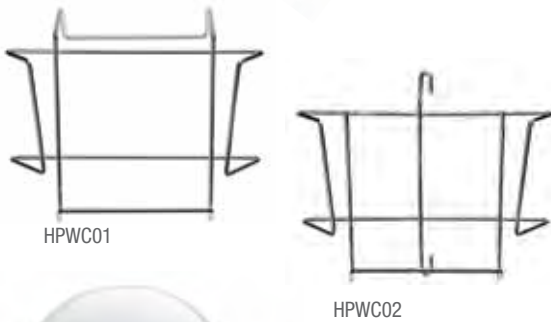
PART NO	DESCRIPTION
HPWC01	Wire cradle for storing a Hard hat in a vehicle
HPWC02	Wire cradle for storing a Hard hat on a wall

\* Wire cradles can accommodate regular and wide-brimmed helmets

### CHIN STRAPS

PART NO	DESCRIPTION
HP661CS	Comfort Strap for HP261 and HP261R - Package of 10'
HP241C	2-point chin strap for HP241, HP241R, HP341, HP341R, HP741, HP741R Package of 10HP542C
HP542C	4 Point - Chin strap for HP641, HP641R, HP542, HP542R, HP642R - Package of 10
HP142C	4 Point - Chin strap for HP141R, HP142R - Package of 10
HPCSL	"Dyna Keeper" - Safety hat lanyard - Package of 10

www.dsafety.com / T: 450-687-7374 - 1-877-446-3278 / F: 450-687-2243 - 1-877-463-2789



# HEAD PROTECTION



HPSLH

HPSLH Installed on HP142R

## ROCKY LAMP STRAP HOLDERS

### FEATURES & BENEFITS

- To hold the lamp strap in place
- Fits easily on the Rocky or any of the others type of Hard Hats

PART NO	DESCRIPTION
HPSLH	Rocky Lamp Strap Holders - Pack of 4

## MINER'S LAMP BRACKET

PART NO	DESCRIPTION
HPMLB	Support for miner's lamp. Includes the strap to attach the cord Installation not included

## HARD HAT WITH MINER'S LAMP BRACKET INSTALLED

### FEATURES & BENEFITS

- Hard hats with miner lamp bracket installed for your convenience
- All with "Sure-Lock" Ratchet adjustment
- Meets CSA Type 1 or Type 2 Class E
- ANSI certified Type I or Type II Class E standards
- Meets Class E if installed by DSI

PART NO	DESCRIPTION	CSA
HP241R/MLB*	Whistler - Hard hat with Miner's lamp bracket installed	Type 1, Class E
HP641R/MLB**	Kilimanjaro - Full Brim hard hat with miner's lamp bracket installed	Type 1, Class E
HP642R/MLB**	Kilimanjaro - Full Brim hard hat with miner's lamp bracket installed	Type 2, Class E

## CAP LOCK ADAPTOR KIT

### FEATURES & BENEFITS

- To attach welding helmets, headgears or brackets to a hard hat
- Fits easily on to most hard hats with slots
- Quick & Easy snap on and off feature
- Will accommodate narrow welding helmet if used with the extension

PART NO	DESCRIPTION
EPHC01	Cap lock adaptor kit with extension pieces
EPHC02	Cap lock blades only

## WELDER'S HARD HATS WITH CAP-LOCK BLADES INSTALLED

PART NO	DESCRIPTION	CSA & ANSI
HP841R/CL***	Stromboli - Hard hat with Cap-Lock blades #EPHC02 installed	Type 1 Class E
HP842R/CL***	Stromboli - Hard hat with Cap-Lock blades #EPHC02 installed	Type 2 Class E

\* Please refer to page 4 for available colors for this hard hat model.  
 \*\* Please refer to page 5 for available colors for this hard hat model.  
 \*\*\* Please refer to page 6 for available colors for this hard hat model.



HP641RMLB/02



HP241RMLB/09



EPHC01



EPHC02



HP841RCL/01

The items shown on our website are the items we Stock. However we have access to the full line of Safety Equipment that we can quickly special order for you. Browse this Catalog and if you want to place an order or get pricing and availability contact us at 1-800-561-3600 or email [info@bapequipment.com](mailto:info@bapequipment.com) Some Limitations May Apply.

## Reflective Strips



HP1X4WHT  
Reflective Strips  
(shown on a HP241/44 hard hat)



HPHH1RD  
Reflective Strips  
(shown on a HP241/01 hard hat)



HPSS8 / HPSS83  
Reflective Strips  
(shown on a HP241/07 hard hat)



HPSS24  
Reflective Strips  
(shown on a HP542R/08 hard hat)



HPSS84  
Reflective Strips  
(shown on a HP641/04 hard hat)

### DYNA-BRITE™ REFLECTIVE STRIPS

PART NO	DESCRIPTION
HP1X4ORG	Dyna-Brite™, reflective strips, stick on, 1" x 4" - Orange - 16 per package
HP1X4WHT	Dyna-Brite™, reflective strips, stick on, 1" x 4" - White - 16 per package
HP1X4YLW	Dyna-Brite™, reflective strips, stick on, 1" x 4" - Yellow - 16 per package

### DYNA-LITE™ REFLECTIVE STRIPS WITH RAFTERS

PART NO	DESCRIPTION
HPHH1RD	Dyna-Lite™ - reflective strips with rafter, stick on- 0.75" x 10" Gray & Red - 3 per pack
HPHH1GN	Dyna-Lite™ - reflective strips with rafter, stick on- 0.75" x 10" Gray & Green - 3 per pack

### DYNA-LITE™ REFLECTIVE STRIPS

PART NO	DESCRIPTION
HPSS8	Dyna-Lite™ - reflective strips, stick on - 1" x 8" - Gray - 1 per pack
HPSS24	Dyna-Lite™ - reflective strips, stick on - 1" x 24" (to wrap around hat) - Gray - 1 per pack
HPSS83	Dyna-Lite™ - reflective strips, stick on - 1" x 8" - Gray - 3 per pack
HPSS84	Dyna-Lite™ - reflective strips, stick on - Pack include: (3) 1" x 8" Gray Strips, (2) Triangles Gris
HPSS85	Dyna-lite - reflective stripes , stick on. Gray Pack of 7 pieces: 2 stripes for sides 1" x 6", 2 strips for front 1" x 2.5" and 3 circles of 2" diameter



The items shown on our website are the items we Stock. However we have access to the full line of Safety Equipment that we can quickly special order for you. Browse this Catalog and if you want to place an order or get pricing and availability contact us at 1-800-561-3600 or email [info@bapequipment.com](mailto:info@bapequipment.com) Some Limitations May Apply.



HP641RCAR / HP642RCAR



HP341RCAN / HP841RCAN / HP842RCAN



HP341RCAR / HP841RCAR / HP842RCAR



HP341RQUE / HP841RQUE / HP842RQUE



HP341RCAM / HP841RCAM / HP842RCAM



HP241RMPL



HP241RMPLM



HP641RMPL / HP642RMPL

## Full Graphic Hard Hats

**MAKE YOUR HARD HAT PART OF YOUR IMAGE!**

*If you want to let others know that you are proud to be Canadian, Quebecois, US citizen or want to hide with a camouflage hat or if you just want to show your true colors; It is possible and you do not have to buy extra quantities as we carry 6 models in stock for now (2 Canadian, 2 Carbon, 1 Quebec, 1 Camouflage). We will add more when we see market demand. We can also make personalized full graphic hard hats with your company colors and design in lots of 100 pieces minimum and at a reasonable cost.*

*Let us know what you would like and we will do the artwork and let you approve it. If you are looking for something unique as a gift for your employees or to celebrate a 25<sup>th</sup> or a 50<sup>th</sup> year anniversary of the foundation of your company, these hats are the perfect solution.*